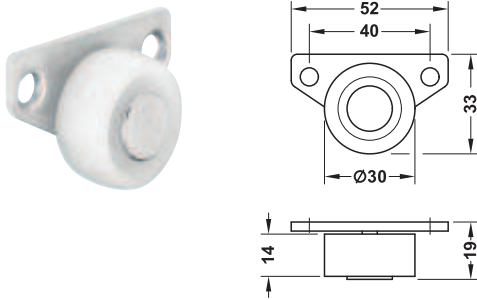


### Bed base castor

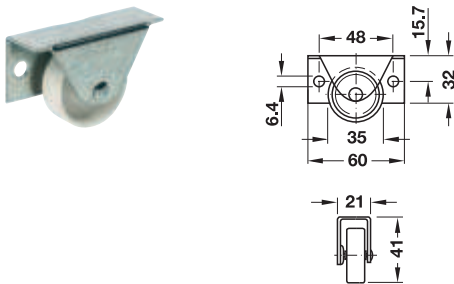


- > Material: Housing: Steel, wheel: Plastic
- > Finish/colour: Housing: Zinc plated, wheel: White
- > Installation: For screw fixing at the side
- > Running surface: Hard
- > Load bearing capacity: 40 kg/castor

Version	Cat. No.
Fixed	660.98.903

Packing: 1 or 20 pieces

### Bed base castor



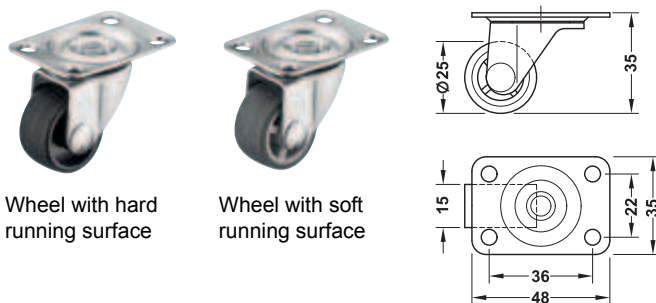
- > Material: Housing: Steel, wheel: Plastic
- > Finish/colour: Housing: Zinc plated, wheel: White
- > Installation: For screw fixing at the side
- > Running surface: Hard
- > Load bearing capacity: 40 kg/castor

Version	Cat. No.
Fixed	660.98.904

Packing: 1, 20 or 100 pieces

### Heavy duty fixed and swivel castors

→ With hard and soft running surface



Wheel with hard running surface

Wheel with soft running surface

- > Material: Housing: Steel, wheel: Plastic
- > Finish/colour: Steel: Zinc plated, soft running surface: Grey, hard running surface: Black
- > Wheel Ø: 25 mm
- > Load bearing capacity: 15 kg/castor

Version	Installation height mm	Running surface	Colour	Cat. No.
Free running with screw-on plate	35	Hard	Black	661.04.300
		Soft	Grey	661.04.301

Packing: 1 piece